

# Pressure Switches

## High Current

**multicomp** PRO

**RoHS  
Compliant**



### Features

- Controllable hysteresis (deadband)
  - Field adjustable vacuum set point, from 3 inches H<sub>2</sub>O to 60 psi
  - Snap action basic switch, up to 25A\*, 125 / 250V AC
  - Many standard pressure ports and mounting options
  - Custom design and engineering available
  - Dependable long life (10+ million cycles)
- \* Not available on all ranges

### Specifications

#### Mechanical

Standard Tolerance : ±20% (tighter tolerances available)  
 Switch Type : SPDT (single pull/double throw) normally open or normally closed  
 Switching Medium : Air, compatible fluids  
 Mechanical Life : More than 10 million cycles  
 Operating Temperature : +40°F to +150°F (standard), -46°F to +205°F (contact us)

#### Physical

Case Material : Polycarbonate  
 Diaphragm Material : Polyurethane (PTFE optional)  
 Contact Points : Silver (gold available on special order)  
 Electrical Connections : Terminals - 0.187 inches × 0.02 inches tab-type, for use with quick disconnects (reference AMP 2-520182-2 or equivalent) 0.25 inches available  
 Mounting : #4 screws through mounting lugs; #2 screws through eyelets; mounting bracket available  
 Weight : Less than 20g

#### Electrical

Operating Voltage : 125 / 250 V AC

### Specification Table

Part Number	Inches H <sub>2</sub> O	mbar	psi	Proof Pressure (Polyurethane)	Proof Pressure (PTFE)	Electrical 125 / 250 V AC
PSF103-9011-902	3 to 10	7.5 to 25	0.11 to 0.4	30 psi	15 psi	3A
PSF103-9011-903	10 to 28	25 to 69	0.4 to 1	30 psi	30 psi	10A
PSF103-9011-904	28 to 111	69 to 276	1 to 4	30 psi	30 psi	15A

### Pressure Port / Cover Options

00		01		02		03		04	
	Smooth Port .156" diameter for 1/8" id tubing w/mtg. lugs		Smooth Port .156" diameter for 1/8" id tubing w/o mtg. lugs		Barbed Port for 3/16" id tubing on terminals side w/mtg. lugs		Barbed Port for 3/16" id tubing opposite terminals w/mtg. lugs		Barbed Port for 3/16" id tubing on terminals side w/o mtg. lugs

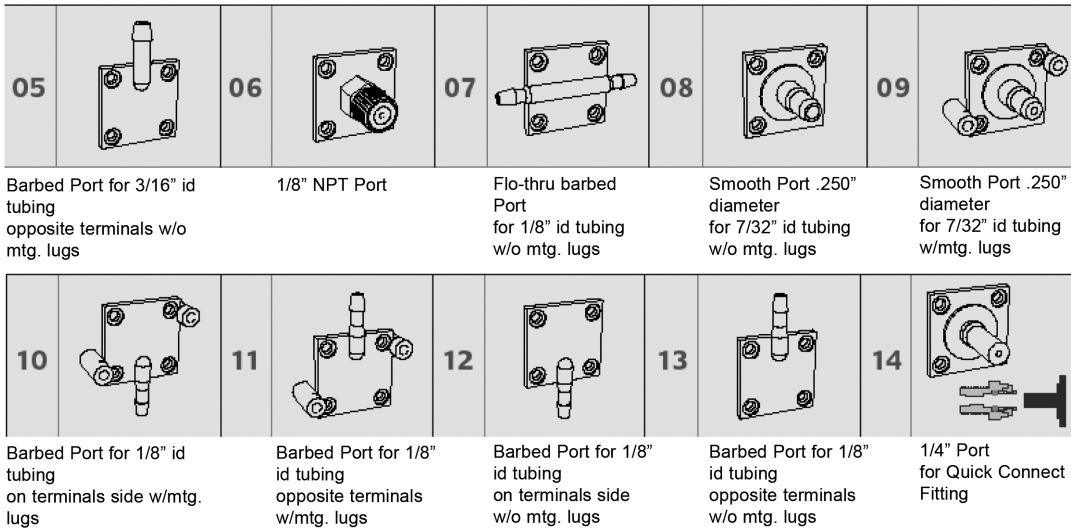
Newark.com/multicomp-pro  
 Farnell.com/multicomp-pro  
 Element14.com/multicomp-pro

**multicomp** PRO

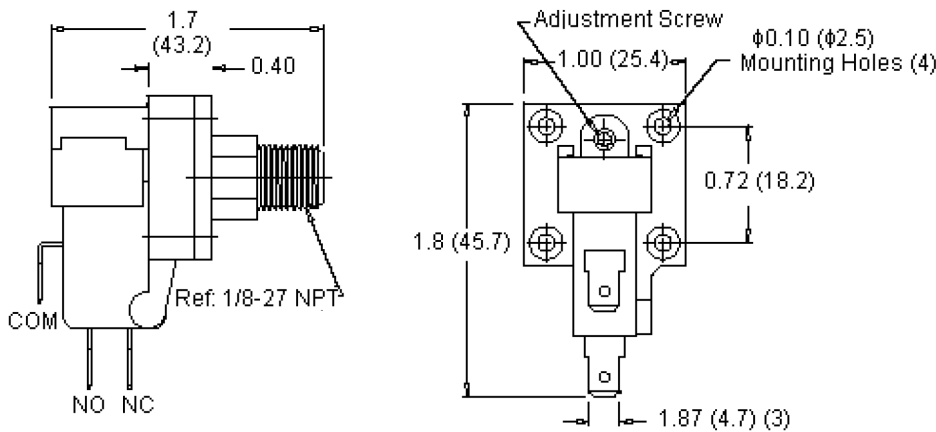
# Pressure Switches

## High Current

**multicomp** PRO



### Diagram



Dimensions : Millimetres

### Part Number Table

Description	Part Number
Pressure Switch, High Current, 0.11 to 0.4 psi	PSF103-9011-902
Pressure Switch, High Current, 0.4 to 1 psi	PSF103-9011-903
Pressure Switch, High Current, 1 to 4 psi	PSF103-9011-904

**Important Notice :** This data sheet and its contents (the "Information") belong to the members of the AVNET group of companies (the "Group") or are licensed to it. No licence is granted for the use of it other than for information purposes in connection with the products to which it relates. No licence of any intellectual property rights is granted. The Information is subject to change without notice and replaces all data sheets previously supplied. The Information supplied is believed to be accurate but the Group assumes no responsibility for its accuracy or completeness, any error in or omission from it or for any use made of it. Users of this data sheet should check for themselves the Information and the suitability of the products for their purpose and not make any assumptions based on information included or omitted. Liability for loss or damage resulting from any reliance on the Information or use of it (including liability resulting from negligence or where the Group was aware of the possibility of such loss or damage arising) is excluded. This will not operate to limit or restrict the Group's liability for death or personal injury resulting from its negligence. Multicomp Pro is the registered trademark of Premier Farnell Limited 2019.

Newark.com/multicomp-pro  
 Farnell.com/multicomp-pro  
 Element14.com/multicomp-pro

**multicomp** PRO